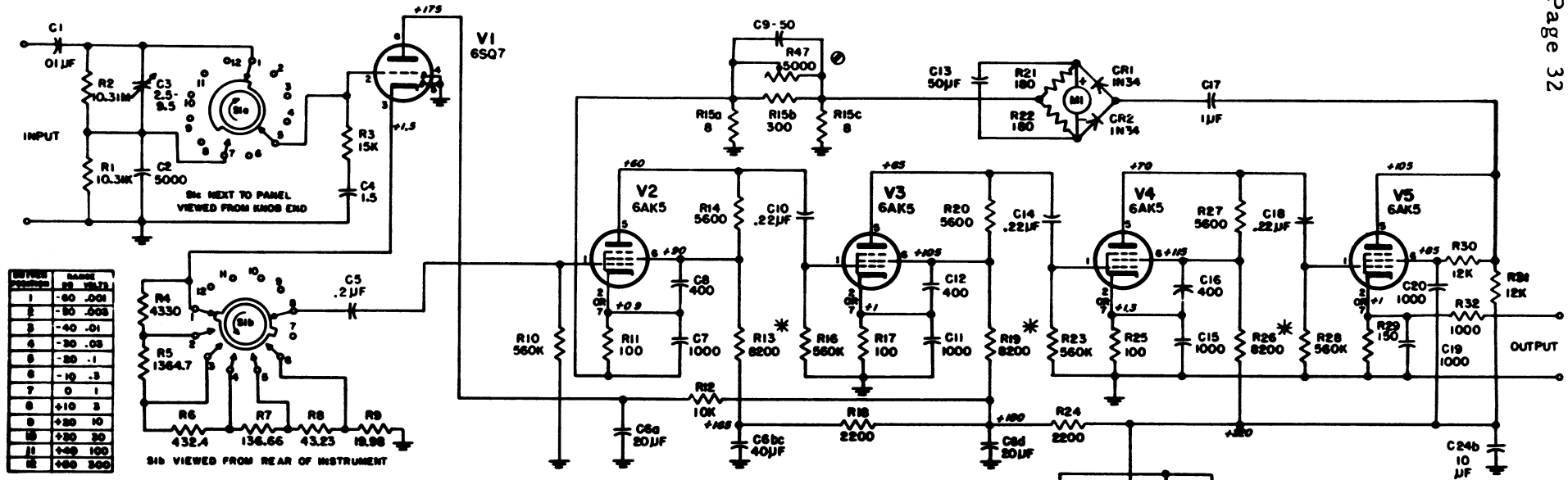


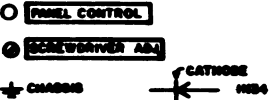
FIG. 7



- NOTES:**
 CONDITIONS OF DC VOLTAGE MEASUREMENT
1. 115 VOLTS, 60-60 CYCLE POWER SUPPLY
 2. MEASUREMENT TAKEN BETWEEN THE INDICATED POINTS AND CHASSIS WITH A VOLTMETER OF 100 MEGOHMS INPUT RESISTANCE
 3. INPUT TERMINAL SHORTED, 1 VOLT RANGE

CAPACITY IN μ F UNLESS OTHERWISE NOTED

- K = 1000 OHMS
- M = 1 MEGOHM
- * = ELECTRICAL VALUE ADJUSTED AT THE FACTORY. AVERAGE VALUE SHOWN. PART MAY BE OMITTED



V8 MAY BE EITHER A 6AV6 OR 6AG6 TUBE

SCHEMATIC DIAGRAM OF MODEL 400C SERIAL 1360 & ABOVE

THIS CIRCUIT IS BASICALLY CORRECT, BUT SMALL DIFFERENCES MAY EXIST FOR ANY PARTICULAR INSTRUMENT. COMPARISON AND CROSS-CHECKING WILL ENABLE IDENTIFICATION OF NECESSARY PARTS.

